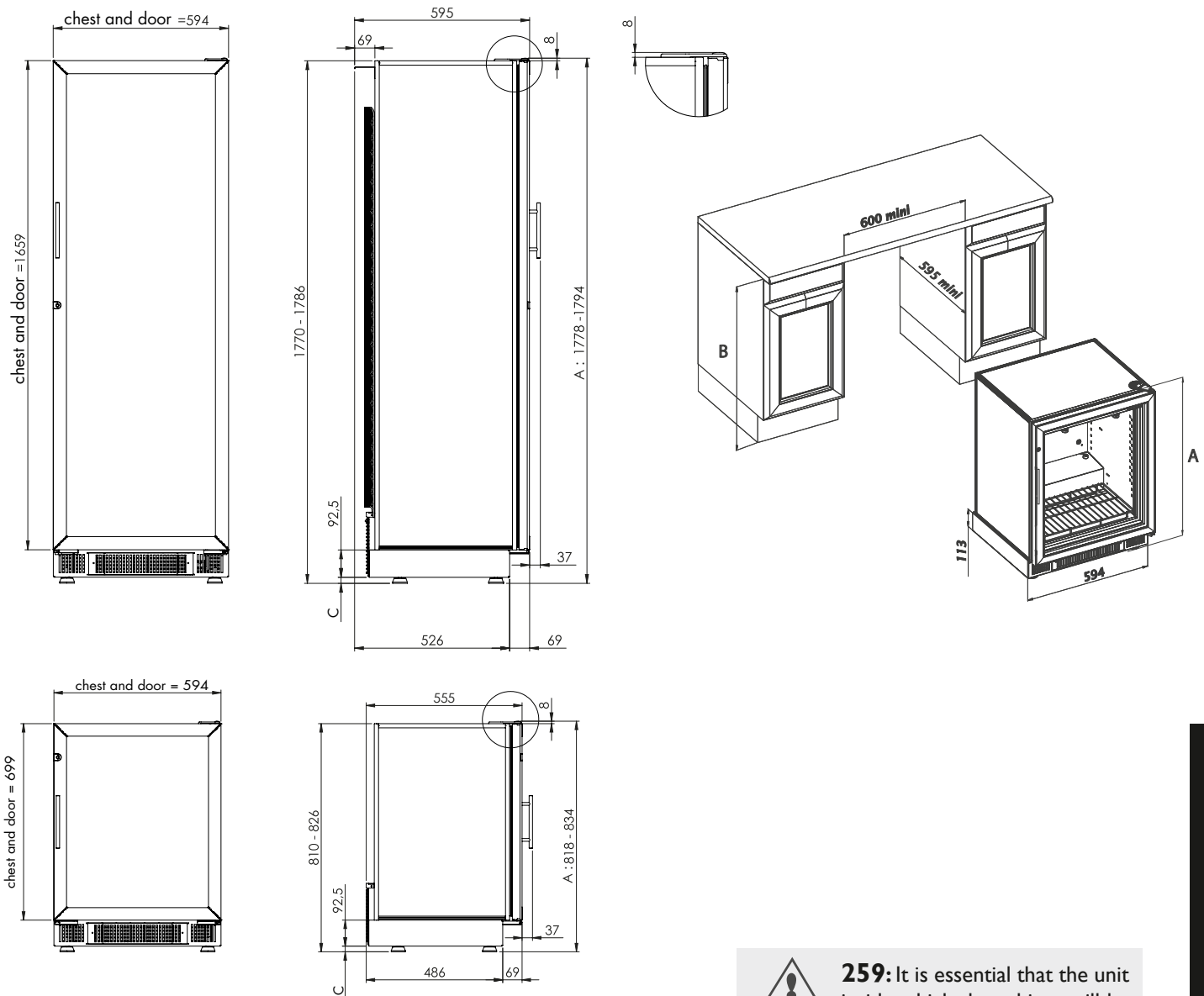


Dimensions to be observed

.for a glass door

	A max.	A min.	A max. with raising piece*	A min. with raising piece*	B min.
059	834	818	877	861	823
259	1794	1778	1837	1821	1783



Feet adjustment = 16 mm

C min	C max
18.5	34.5

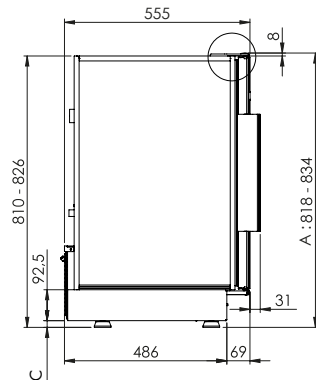
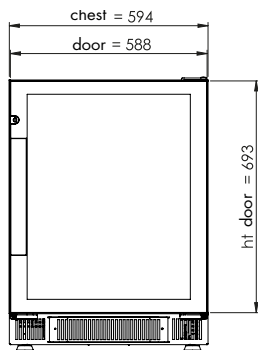
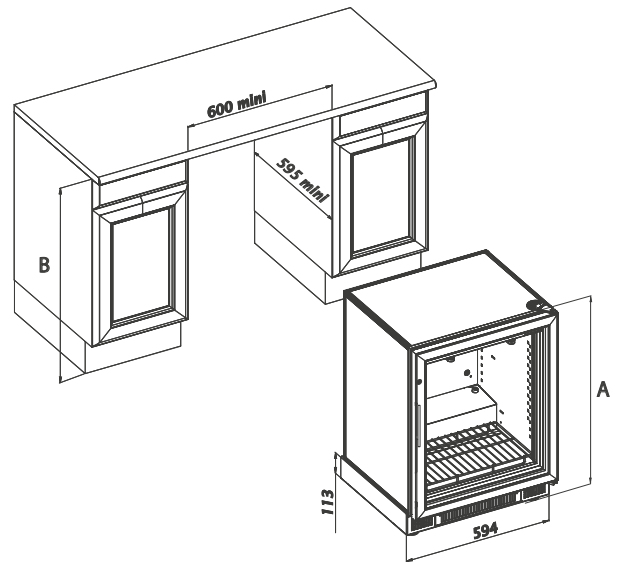
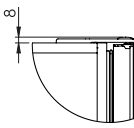
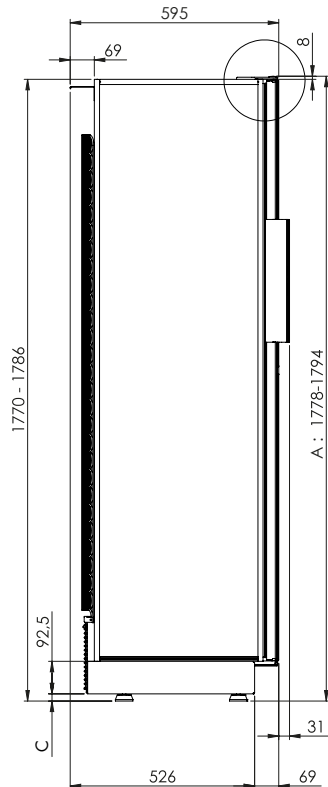
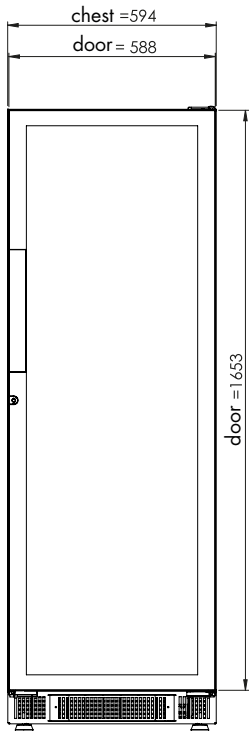
259: It is essential that the unit inside which the cabinet will be fitted has an opening at the top, at the back, measuring at least 540mm in length and 50mm in width (see technical door diagram).

*See chapter "Adjusting the feet and securing the cabinet"

Dimensions to be observed

.for a full glass door

	A max.	A min.	A max. with raising piece*	A min. with raising piece*	B min.
059	834	818	877	861	823
259	1794	1778	1837	1821	1783



Feet adjustment = 16 mm

C min	C max
18.5	34.5

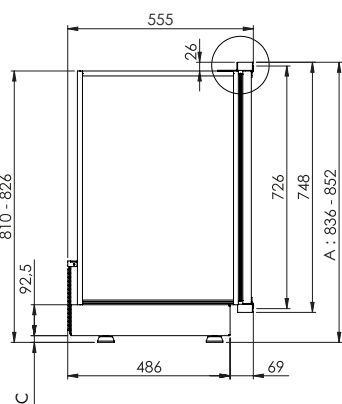
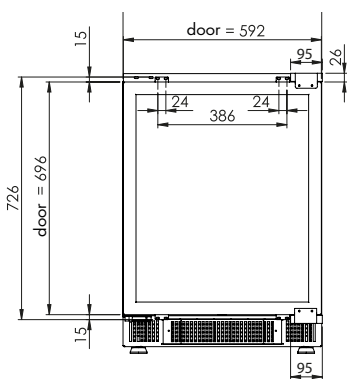
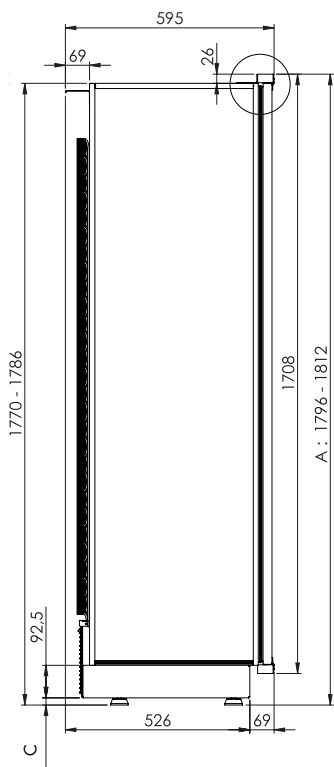
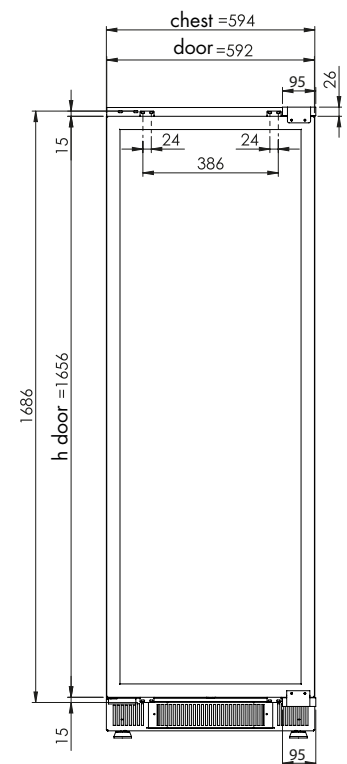
259: It is essential that the unit inside which the cabinet will be fitted has an opening at the top, at the back, measuring at least 540mm in length and 50mm in width (see technical door diagram).

*See chapter "Adjusting the feet and securing the cabinet"

Dimensions to be observed

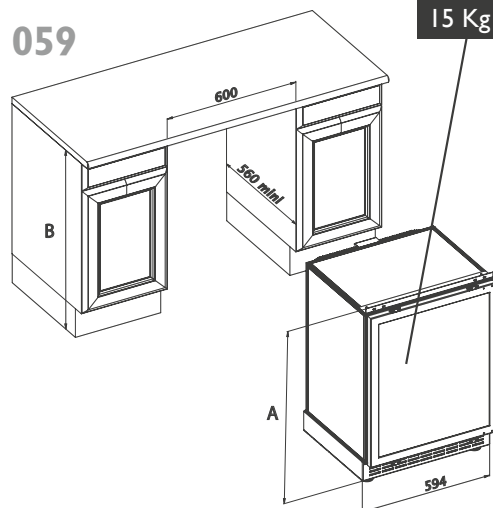
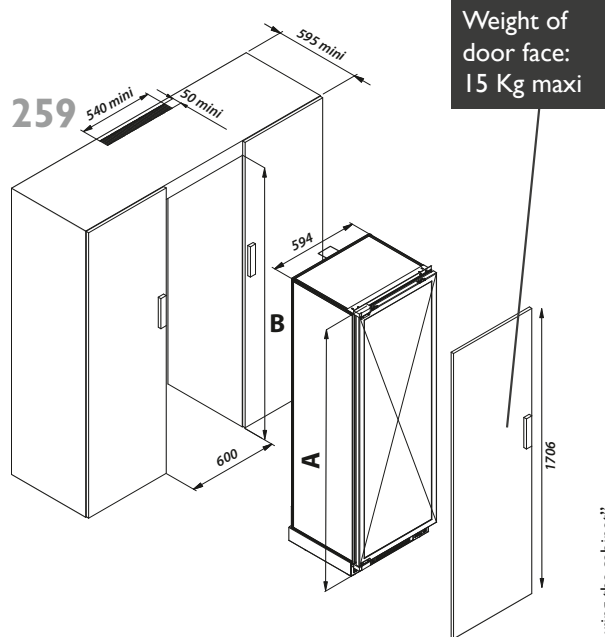
.for a technical door

	A max.	A min.	A max. with raising piece*	A min. with raising piece*	B min.
059	852	836	895	880	841
259	1812	1796	1855	1839	1801



Feet adjustment = 16 mm

C min	C max
18.5	34.5



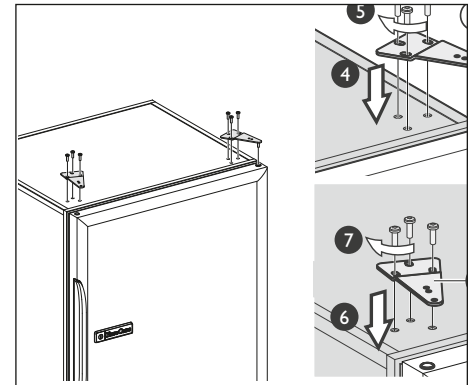
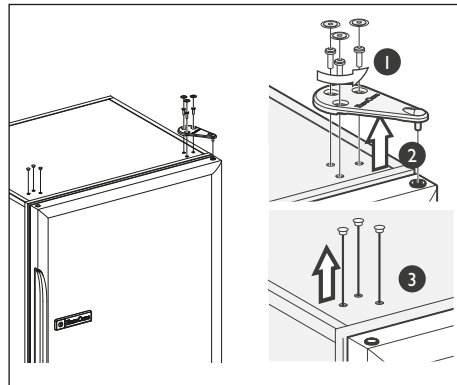
259: It is essential that the unit inside which the cabinet will be fitted has an opening at the top, at the back, measuring at least 540mm in length and 50mm in width (see technical door diagram).

*See chapter "Adjusting the feet and securing the cabinet"

Compact Range

Changing the hinges

- Gently remove the caps using a thin blade.
- Unscrew the three screws (1) using a T25 Torx wrench.
- Remove the hinge (2).
- On the other side, gently remove the caps using a thin blade (3).
- Assemble (4) the hinge with pin (B) using the screws (5) in such a way that the door is completely parallel to the body.
- Assemble (6) the hinge without pin (A) using the screws (7).
- When you close the door, ensure that the seal adheres well to the body to guarantee air tightness

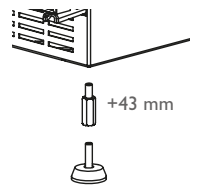


Adjusting the feet and securing the cabinet

(to be carried out only when the cabinet is empty)

The wine cabinet's 4 feet can be adjusted in height.

- If necessary, use the hexagonal raising pieces supplied in the "accessories" sachet. Tilt the appliance forwards, ensuring that the door remains shut. Unscrew the back feet and fit the raising pieces, using a 17 mm open-ended spanner. Screw the 2 back feet onto the raising pieces. Repeat the procedure for the 2 front feet, this time tilting the appliance backwards.
- Use suitable screws to secure the wine cabinet underneath the work top or inside the unit via the holes provided in the hinges.



Fastening a unit door to a technical door

- Position the cabinet so that it is level underneath the work top or inside the unit
- Open the cabinet door to 90°
- Fasten the door face of the kitchen unit onto the cabinet door (8 screws supplied)
- Ensure that the seal is completely air tight

Size	059	259
Door height (in mm)	696	1656
Door width (in mm)	592	592
Door thickness (in mm)	29	29
Seal thickness (in mm)	10	10
Total thickness (in mm)	39	39
Max. weight of door face (in kg)	15	15
Door face + door total weight (in kg)	21	26

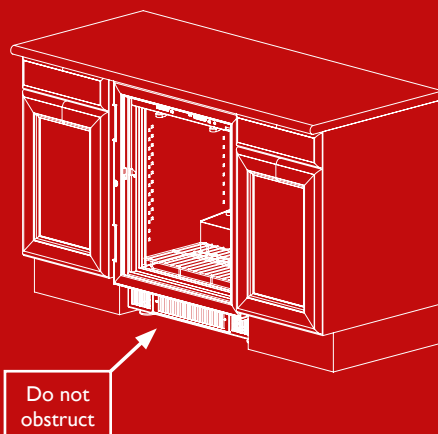
N.B.!

.the air vent

Never obstruct the front air vent. This could result in poor functioning of the cabinet.

.rotation of the door

On the side of the axis of rotation of the door, position it at least 3 mm from the adjacent unit.



.access to the plug

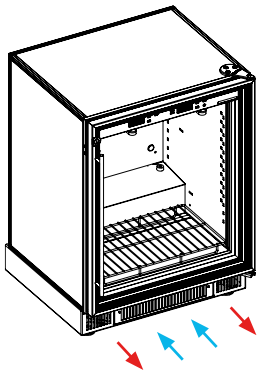
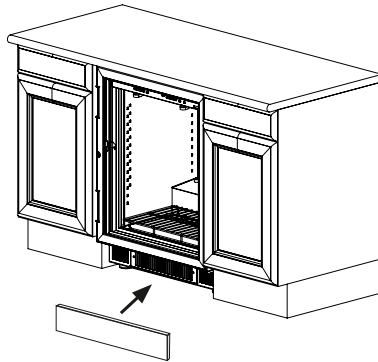
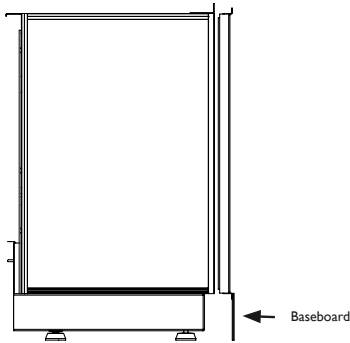
The plug must be accessible after the appliance has been installed. For medium and large models, it is essential that the cabinet is fastened to the unit. Check that the appliance is securely fastened to the unit and that the unit is securely fastened to the wall.

.glass door

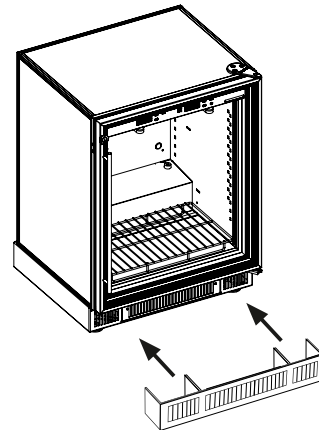
If your door is glazed, never place it on its side as it may break.

Covering the ventilation grid of your wine cabinet

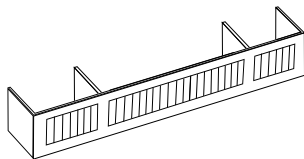
Covering the ventilation grid of your wine cabinet (To optimise the design) can result in poor ventilation of the cabinet. It is therefore necessary to observe the following installation conditions:



The air flows must not be mixed. Make sure that the incoming air flow comes from outside by isolating the air flows. (By using adhesive foam for example)

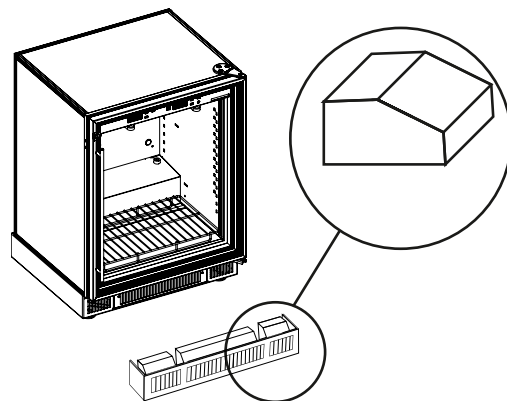


1. For a non-elevated wine cabinet



The baseboard must have the same openings as those of the ventilation grid.

2. For an elevated wine cabinet (with the hexagonal pillars)



When the cabinet is installed with the hexagonal pillars to be elevated, you must adapt the shape of the separators. This is important in order to correctly guide the air flows downwards and therefore to the ventilation grid (incoming or outgoing).

Left end section	Middle section	Right end section
8x(W: 6mmxH:60mm)	27x(W: 6mmxH:60mm)	8x(W: 6mmxH:60mm)

W= Width of an opening
H= Height of an opening